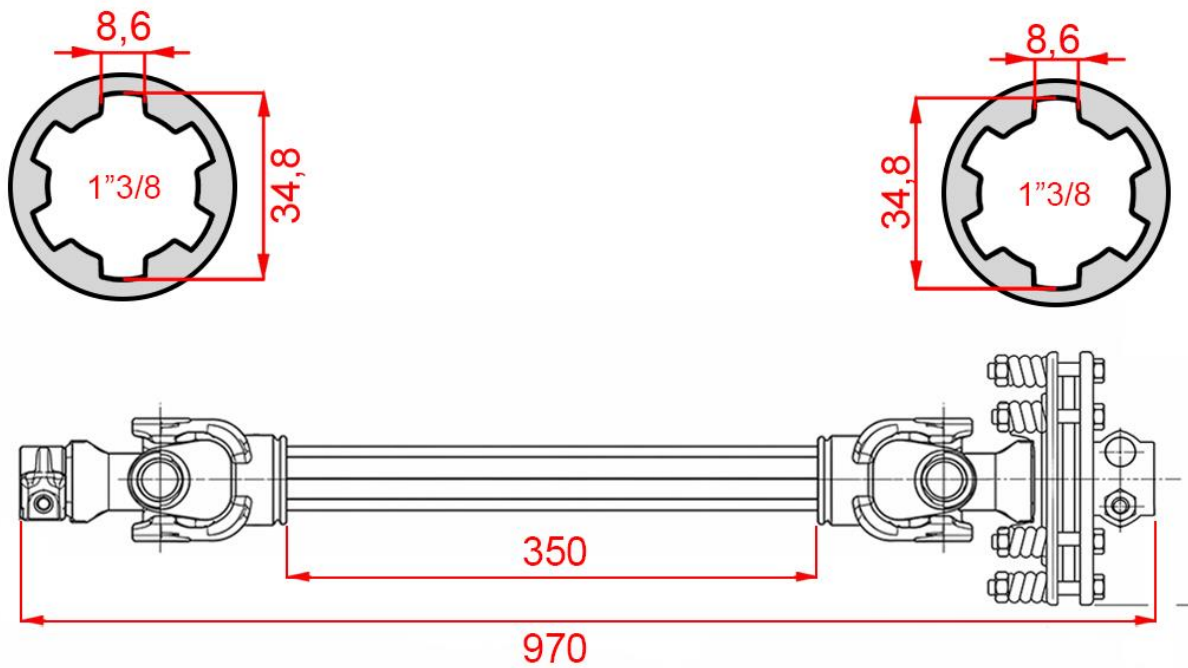


DATA SHEET – DIMENSIONS

ECO PTO SHAFT 970mm 70-110HP WITH FRICTION CLUTCH



MIN. LENGHT (mm)	STANDARD	FOR TRACTORS (HP)	SAFETY CLUTCH (Nm)	CROSS (mm)
970	CE 2138	70 - 110	900 - 1200	30,18 x 106,30